



## Small Voltage Transformer

### Application

Type SVTO voltage transformers are designed for operation on systems rated 34,500 volt systems at 200 kV BIL. SVTO's are available in single bushing designs for line to ground connection and two bushing designs for phase to phase applications.

### Fabrication

All ITEC transformers utilize high permeability, low loss, grain orientated silicon steel cores to optimize performance and physical size of the transformers.

Transformer tanks and covers manufactured from mild steel and finished with the latest powder coating technology to withstand the most rigorous environmental conditions. Standard finish color is ANSI 70 light Gray.

All SVTO's are hermetically sealed, full vacuum assemblies provided with a dry nitrogen cushion.

One-piece, wet processed porcelain bushings are used on all SVTO's. Bushings are designed to exceed IEEE standards for creep and strike distances. The standard bushing color is ANSI 70 light Gray.

The primary terminal is a 4-hole NEMA pad, suitable for use with copper or aluminum bus connections. The secondary connections are ¼"-20 copper studs with hardware located in a weatherproof, hinged cover, terminal box with three (3) conduit knockouts suitable for 1-½" conduit hubs. All VTO's are equipped with a stainless steel, NEMA 2-hole ground pad and a pressure relief valve.

On single bushing, line to ground applications the HO connection is brought out through a 5kV porcelain bushing with removable ground strap.

### Accuracy

The SVTO's are designed to provide voltage relaying or metering performance. The transformer is accurate from 90% to 110% or rated primary voltage. 0.3% accuracy is available through IEEE burdens of O, W, M, Y, Z and ZZ. A 0.15 accuracy class is available, contact factory for your specific application.



### Mounting

The SVTO-200 is designed for mounting on substation structures or poles in vertical positions with ANSI type "A" hanger brackets.

### Testing

Every transformer is tested in accordance with IEEE Standard C57.13 (latest revision). Standard tests include applied and induced voltage, accuracy, polarity, dissipation factor and partial discharge. All transformers are guaranteed to be partial discharge free at 135% of nominal system voltage.

### Options

- Stainless Steel Tank and Terminal Box
- Extra Creep Porcelain Bushings

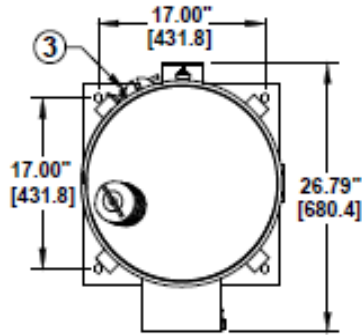
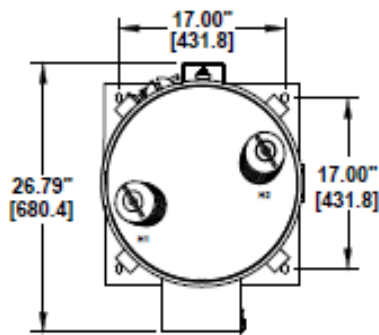
## Small Voltage Transformer

SVTO-200 34.5 kV 200 BIL 20125:115 or 115/67.08 and 34500:115 VT

Model	NSV (kV)	MSV (kV)	BIL (kV)	Primary Voltage L-G or L-L	Secondary Voltage	Winding Ratio	Thermal Rating	Catalog Number
SVTO-200	34.5	36.5	200	20125 L-G	115	175:1	4500	SA102000175S000
SVTO-200	34.5	36.5	200	20125 L-G	115/67.08 & 115/67.08	175/300 & 175/300:1	4500	SA102000175T000
SVTO-200	34.5	36.5	200	34500 L-L	115	300:1	4500	SA202000300S000

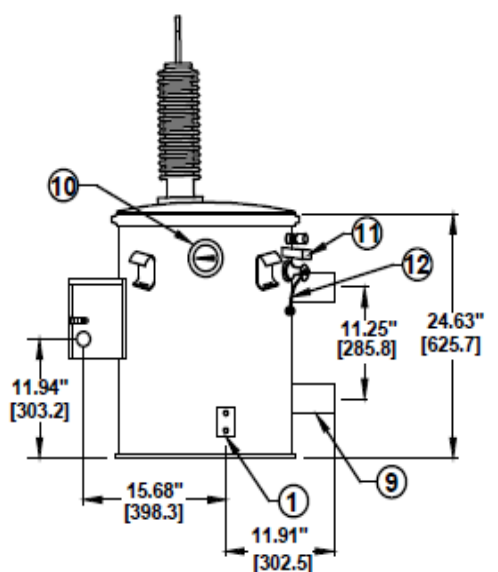
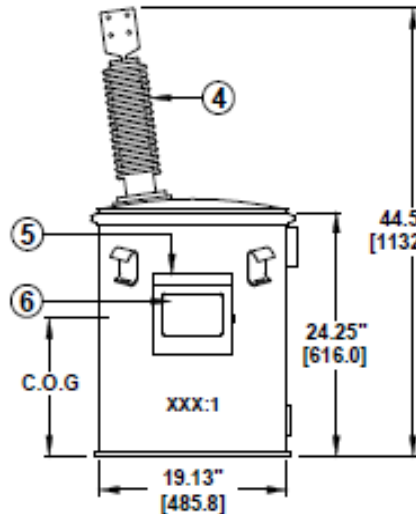
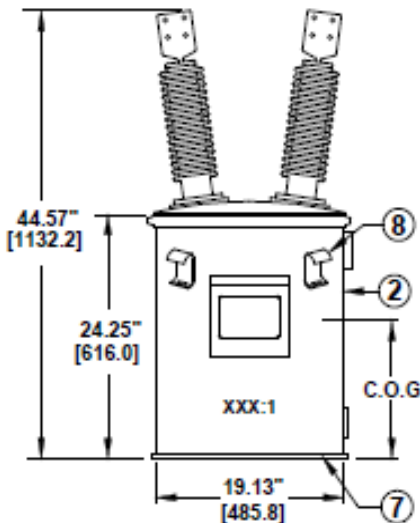
Other ratings and options may be available, please contact the factory with your requirements.

### Dimensions and Details



**Notes:**

1. 2-Hole NEMA Ground Pad
2. Mild Steel Tank
3. 1/4" Pressure Relief Valve
4. Primary Bushing
5. LV Terminal Box with (3) 1 1/2" Conduit Hubs
6. Stainless Steel Nameplate
7. Mounting Plate 17" x 17" with Slot Holes
8. Lifting Eyes
9. ANSI Type "A" Mounting Bracket
10. Oil Level Indicator
11. HO Bushing and Guard
12. Removable Ground Strap



This information is subject to change without notice. ITEC is not responsible for typographical errors.

© Copyright 2016 Instrument Transformer Equipment Corporation

### Instrument Transformer Equipment Corporation